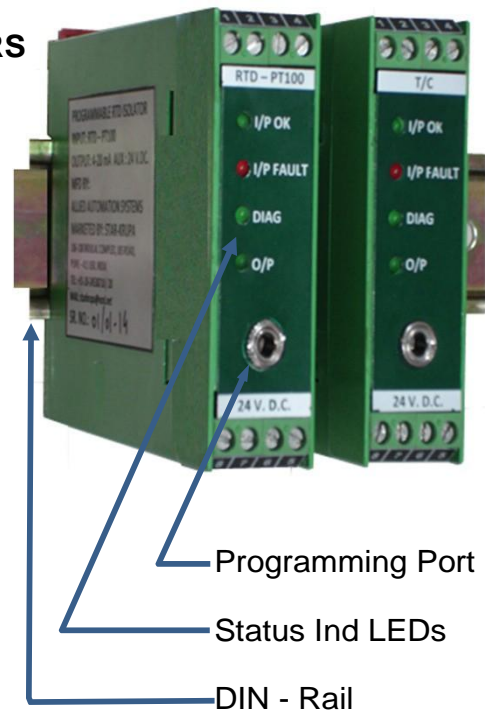


## DIN-RAIL MOUNTED PROGRAMMABLE ISOLATORS

- Q Suitable for 4-20 mA, Thermocouple & RTD signals
- Q Optional Transmitter Supply for 4-20 mA Inputs
- Q User-programmable Type & Range Selection for RTD & T-C signals
- Q Precision microcontroller for linearization & cold-junction compensation for T-C & RTD Signals
- Q Diagnostic Indications
- Q User-programmable up-scale or down-scale protection for RTD / T-C sensor problems
- Q Standard DIN-Rail mounting
- Q Compact : 22.5 mm width
- Q One Input – One Output OR One Input – Two Outputs option



### SPECIFICATIONS:

Isolator Type	4-20mA Input	T-C Input	RTD Input
Signal Type	4-20 mA DC	J / K/ R / S	PT-100 / PT-50
Input Load	4.2 V Max Drop	5 Meg Ohm	0.9 mA excitation current
Linearization	NA	Provided	Provided
Cold Junction Comp.	NA	Provided	NA
Output Load (4-20 mA O/P)	600 Ohms max		
Accuracy	±0.1% of Full-scale Range		
Supply Voltage	18 to 27 V. D.C.		
Isolation	1000 V A.C. + D.C. Peak. (Optional 1500 V)		
Operating Temperature	10 – 55 °C		
Max Humidity	95% RH – Non Condensing		

### **Microverse Automation Pvt. Ltd.**

79/2, Dangat Industrial Estate, Shivane, Pune – 411023. India

Tel: +91-20-25290041 Mail: marketing@microversedcs.com

# DIN-RAIL MOUNTED PROGRAMMABLE ISOLATORS

## Ordering Information:

Model Number: A - B - C - D

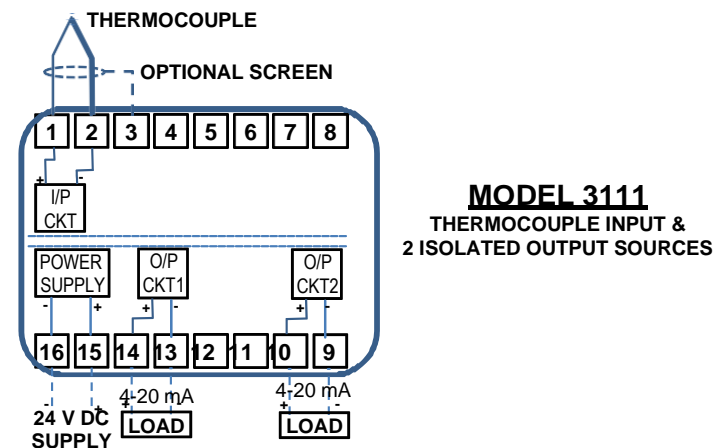
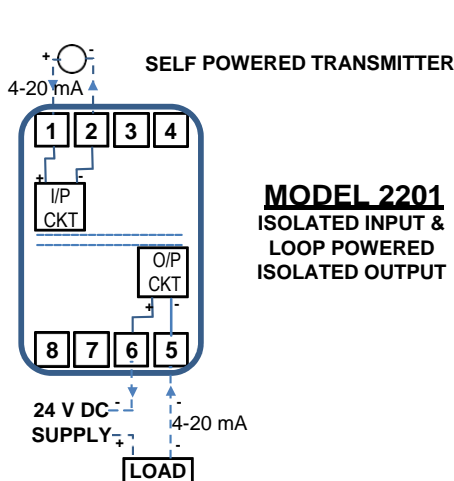
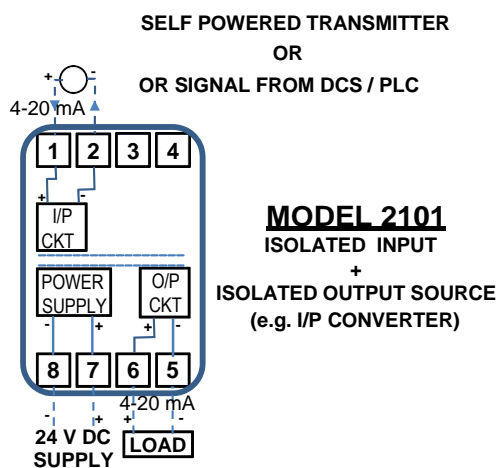
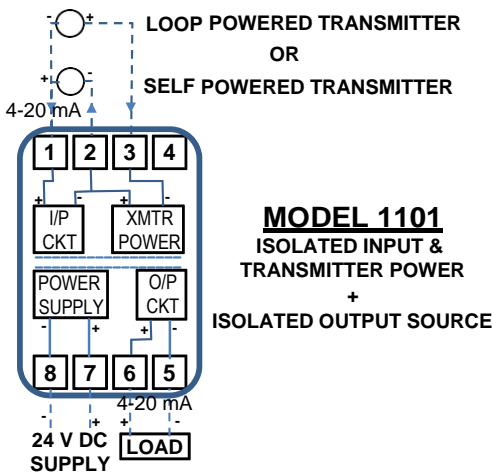
A : I/P Signal Type
1: 4-20mA with transmitter power
2: 4-20mA W/O transmitter power
3: Thermocouple
4: RTD
5: mV/Volts
6: Universal Temperature

B : O/P # 1 Type
1: 4-20mA with source
2: 4-20mA (No Power)
3: 0-10VDC
4: 0-5VDC
5: 1-5VDC

C : O/P # 2 Type
0: Not Provided
1: 4-20mA with source
2: 4-20mA (No Power)
3: 0-10VDC
4: 0-5VDC
5: 1-5VDC

D: Supply Voltage : = 1 = 24 V.D.C.

## Examples Of Typical Wiring Schemes:



NOTE: CONSULT FACTORY FOR WIRING SCHEMES OF OTHER MODELS



### Dimensions:

W = 22.5 mm  
D = 107.5 mm  
H = 75 mm

**Microverse Automation Pvt. Ltd.**

79/2, Dangat Industrial Estate, Shivane, Pune – 411023. India

Tel: +91-20-25290041 Mail: marketing@microversedcs.com